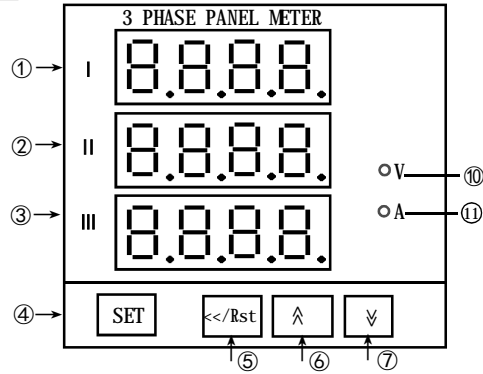


CHDW93 phase Voltage, Current Meter

Thanks a lot for selecting Sanyou products! Before operating this instrument, please carefully read this manual and fully understand its contents, if you have problems, please contact our sales or distributors whom you buy from. This manual is subject to change without prior notice.

Name of parts



- ① I: voltage/current of display
- ② II: voltage/current of display
- ③ III: voltage/current of display
- ④ convert/parameter select/confirm key
- ⑤ shift/clear key ⑥ up key ⑦ down key
- ⑩ indication lamp: A: 3 phase of Current display
- ⑪ indication lamp: V: 3 phase of Voltage display

Model

- 3 phase of current meter: DW93-AA5
- 3 phase of voltage meter: DW93-AV600

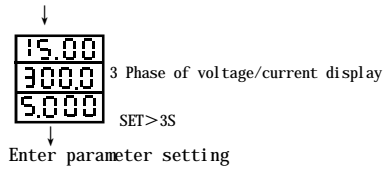
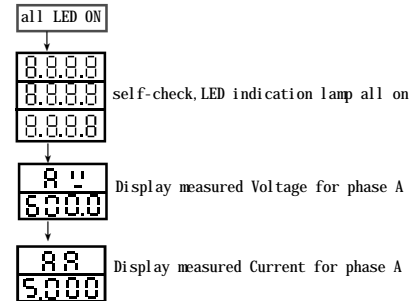
Specifications

power supply	90-260V AC/DC 50/60Hz or AC 380V
Direct input range	voltage: 0-600V current: 0-5A for any range with CT
Measure frequency range	0-2.5KHz display change $\geq 2/\text{sec}$
Accuracy	voltage: $\pm 0.4\%$ display $\pm 0.1\%F.S$
	current: $\pm 0.3\%$ display $\pm 0.1\%F.S$

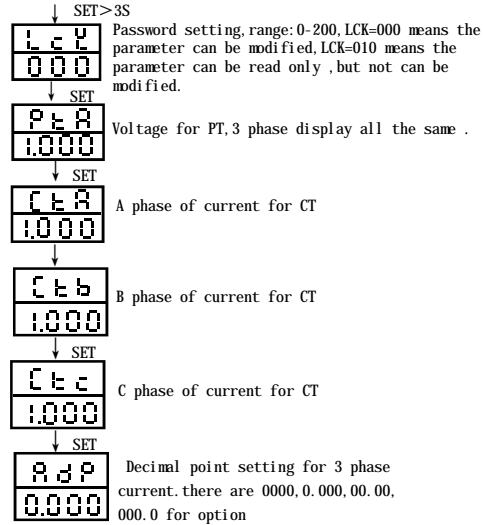
Size (91+0.5 x 91+0.5 x 100)

Operation Processes:

PowerON Self-check

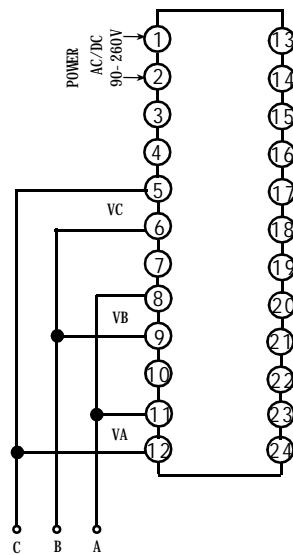


Parameter setting



Terminal configurations

1, 3 phase of Voltage drawing



1, 3 phase of current drawing

